

Type 633-DC



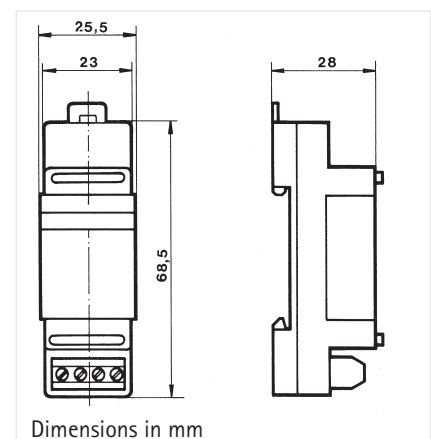
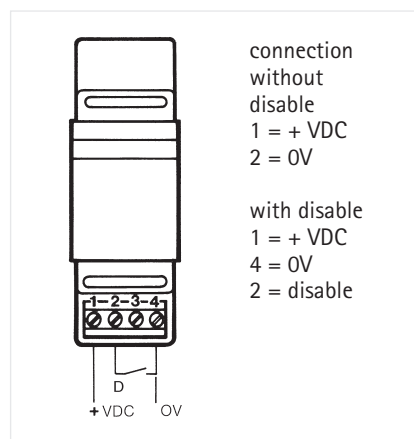
TECHNICAL DATA

Miniature Time Counter for 35 mm DIN Rail Attachment

- Miniature size
- Low power consumption
- Screw terminal connection
- Suitable for switch cabinet installation
- Snap-on attachment for 35 mm DIN rail

Display	7-digit, 0 ... 99999.99 h	
Digit height	4 mm, visual	
Supply voltage V_{op}	acc. to order information, tolerance + 10 %	
Current consumption	during pulse	voltage
	35 mA	5 VDC
	17 mA	12 VDC
	9 mA	24 VDC
Residual ripple	< 1 %	
Operating temperature	0 ... + 60 °C	
Storage temperature	- 40 ... + 70 °C	
Protection class (DIN 4050)	IP 10	
Vibrostability	30 m/s ² (10 - 500 Hz) acc. to IEC 068-2-6	
Shock stability	> 3500 m/s ² acc. to IEC 068-2-27	
General design	acc. to DIN VDE 0700; insulation group C (VDE 0110), protection class II	
Weight	approx. 40 g	
Time error	with disable 0.488 ms per switching cycle	
Reset	none	

CONNECTION DIAGRAM DIMENSIONS



ORDER INFORMATION

Time counter for supply voltage 5 VDC	0 633 531
Time counter for supply voltage 12 VDC	0 633 532
Time counter for supply voltage 24 VDC	0 633 533